

Design Patterns

Abstract Factory & Command Pattern

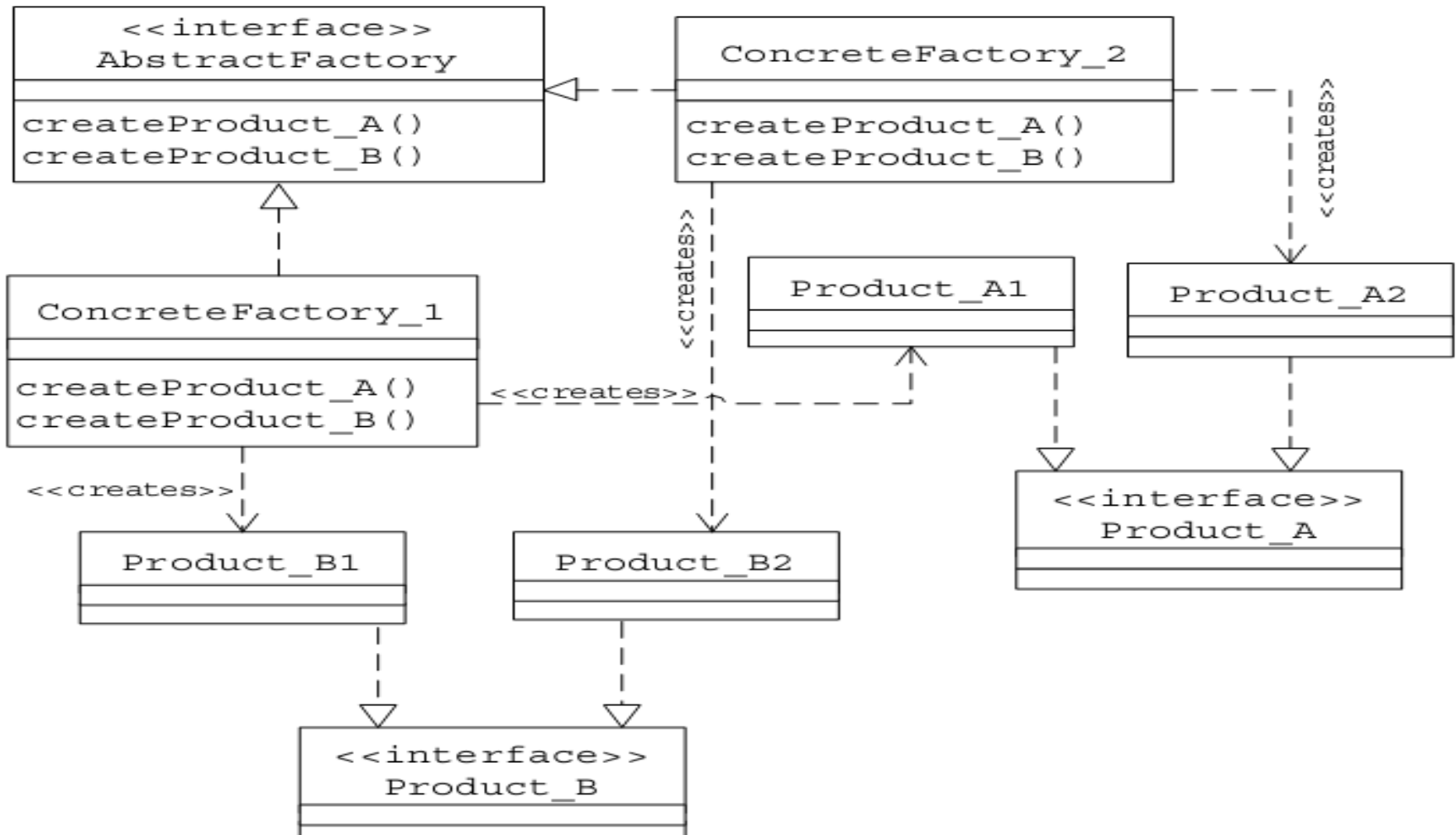
Eriq Muhammad Adams J.

Mail : eriq.adams@ub.ac.id | Blog : <http://eriq.lecture.ub.ac.id>

Abstract Factory Pattern

- * provides an interface to produce a family of objects

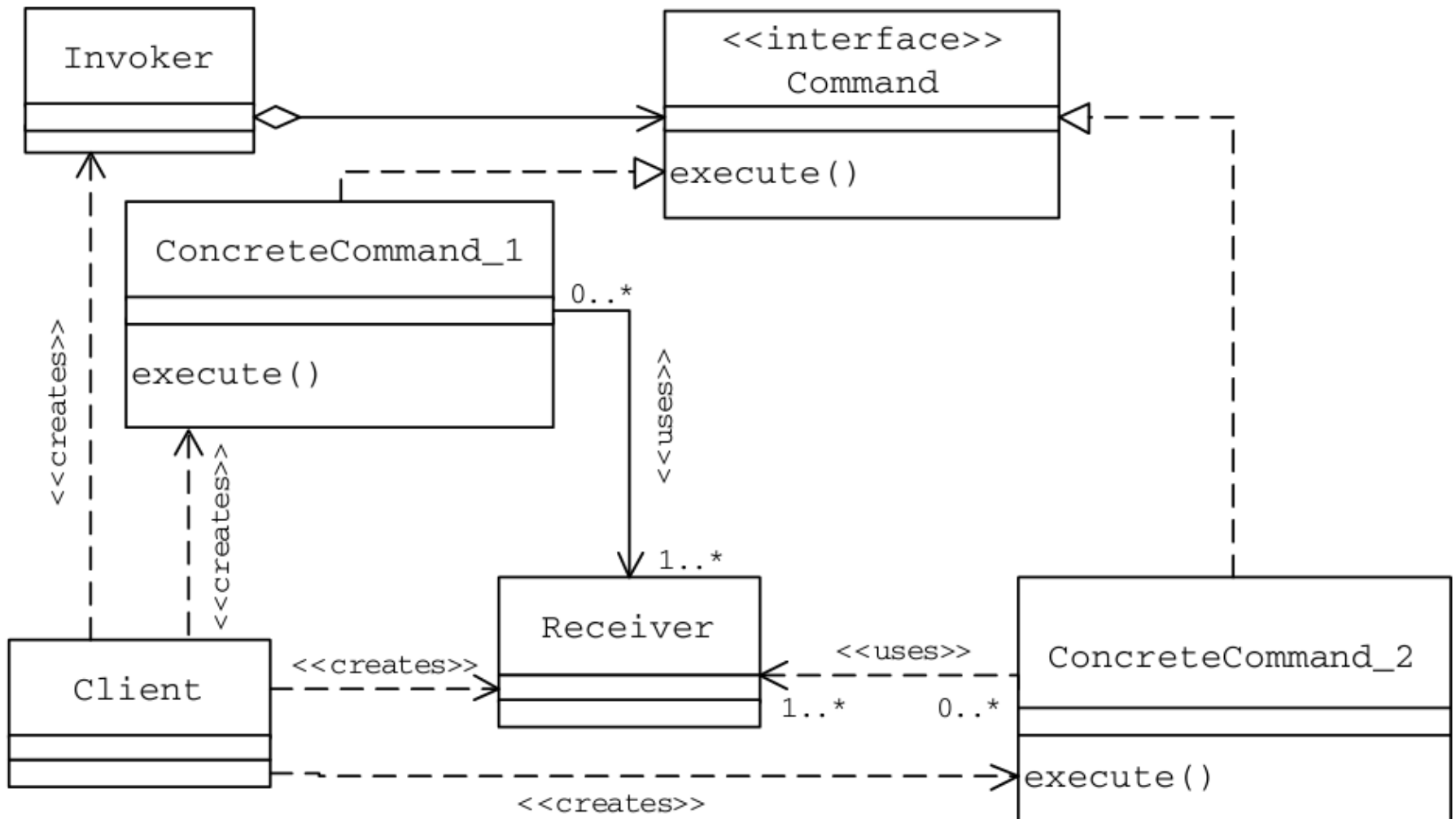
Abstract Factory Pattern (cont.)



Command Pattern

- * Encapsulates commands into Single Object

Command Pattern (cont.)



References

- * O'Reilly – Head First Design Pattern by Eric Freeman & Elisabeth Freeman (2004).
- * CRC Press – Software Architecture Design Pattern in Java by Partha Kuchana (2004).